

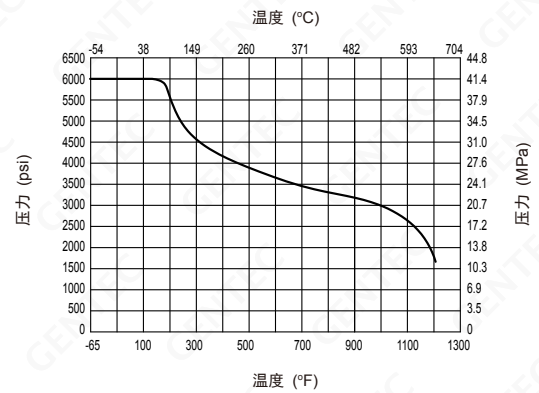
NV2 系列针阀 NV2 Series Needle Valves



特点 Features

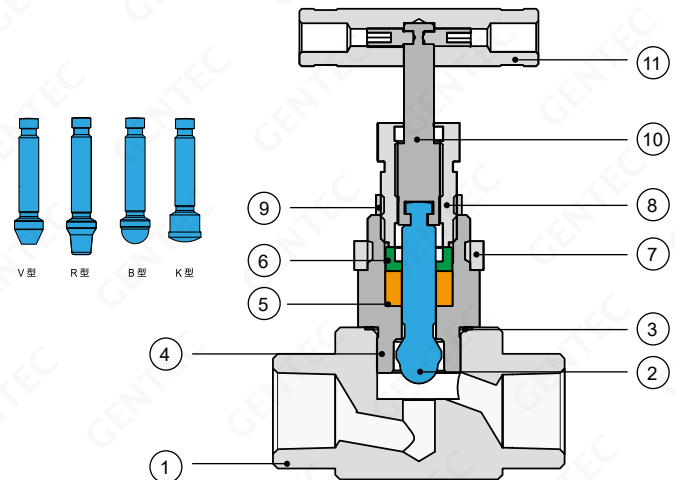
- 最高工作压力: 6000 psi (41 MPa)
- 工作温度范围: -54°C ~ 649°C (-65°F ~ 1200°F)
- 双阀杆设计, 密封性更佳
- 阀门接口形式: NPT 螺纹, 卡套接头
- 阀门标准形式为直线式, 直角式可选
- 可采用面板安装
- 出厂测试条件: 6000 psi 压缩空气

压力温度曲线 Pressure Temperature Data



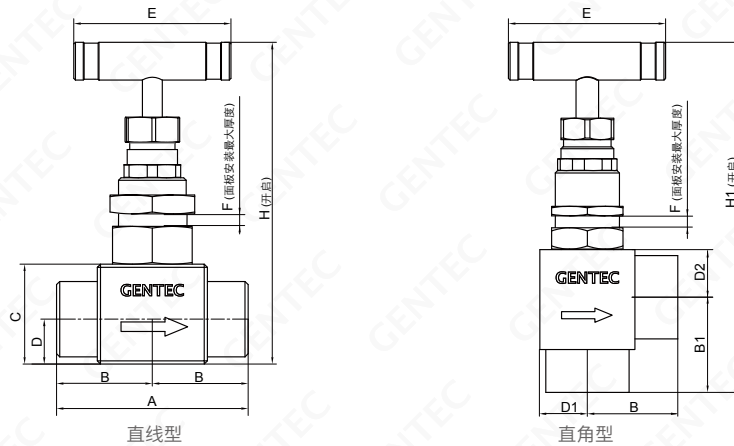
结构材料 Materials of Construction

零件	材料
1 阀体	316
2 下阀杆	316 (V 型、R 型、B 型) 316 + 三氟密封 (K 型)
3 垫片 (镀银件)	316
4 阀盖	316
5 填料	PTFE / PEEK / 石墨 (可选)
6 填料压盖	316
7 安装螺母	316
8 压盖	316
9 锁紧螺母	304
10 上阀杆	316
11 手柄	304 / 6061 (可选)



免费售后服务热线: 400-189-8322
 400-189-8322

安装尺寸图 Dimension (mm)



型号 Model Number	口径 Orifice (mm)	Cv	进出气连接形式 Inlet / Outlet Connection	尺寸 Dimension (mm)											面板安装 孔径 (mm)
				A	B	B1	C	D	D1	D2	E	F	H	H1	
SS-NV22-FNT2	4	0.35	1/8" Female NPT	40.0	20.0	25.0	28.0	10.7	15.0	13.0	50.0	6.0	91.3	110.9	23.0
SS-NV22-FNT4			1/4" Female NPT	50.0	25.0	25.0	28.0	10.7	15.0	13.0	50.0	6.0	91.3	110.9	23.0
SS-NV22-NT4			1/4" Male NPT	54.0	27.0	25.0	28.0	10.7	15.0	13.0	50.0	6.0	91.3	110.9	23.0
SS-NV22-NT6			3/8" Male NPT	54.0	27.0	25.0	28.0	10.7	15.0	13.0	50.0	6.0	91.3	110.9	23.0
SS-NV22-TF4			1/4" GENLOK	58.6	29.3	30.5	28.0	10.7	15.0	13.0	50.0	6.0	91.3	116.4	23.0
SS-NV22-TF6M			6mm GENLOK	58.6	29.3	30.5	28.0	10.7	15.0	13.0	50.0	6.0	91.3	116.4	23.0
SS-NV22-TF8M	8mm GENLOK	58.6	29.3	30.5	28.0	10.7	15.0	13.0	50.0	6.0	91.3	116.4	23.0		
SS-NV23-FNT4	6.4	0.85	1/4" Female NPT	61.0	30.5	28.5	31.8	14.3	17.5	15.5	50.0	6.0	98.4	112.0	21.5
SS-NV23-FNT6			3/8" Female NPT	61.0	30.5	28.5	31.8	14.3	17.5	15.5	50.0	6.0	98.4	112.0	21.5
SS-NV23-NT6			3/8" Male NPT	61.0	30.5	28.5	31.8	14.3	17.5	15.5	50.0	6.0	98.4	112.0	21.5
SS-NV23-TF6			3/8" GENLOK	71.6	35.8	33.6	31.8	14.3	17.5	15.5	50.0	6.0	98.4	115.1	21.5
SS-NV23-TF8			1/2" GENLOK	77.2	38.6	36.1	31.8	14.3	17.5	15.5	50.0	6.0	98.4	117.6	21.5
SS-NV23-TF10M			10mm GENLOK	72.2	36.1	36.1	31.8	14.3	17.5	15.5	50.0	6.0	98.4	117.6	21.5
SS-NV23-TF12M	12mm GENLOK	77.2	38.6	36.1	31.8	14.3	17.5	15.5	50.0	6.0	98.4	117.6	21.5		
SS-NV24-FNT8	10	2.18	1/2" Female NPT	76.0	38.0	38.0	48.0	22.2	20.0	20.0	89.0	7.0	132.0	146.0	27.5
SS-NV24-FNT12			3/4" Female NPT	76.0	38.0	38.0	48.0	22.2	20.0	20.0	89.0	7.0	132.0	146.0	27.5
SS-NV24-NT12			3/4" Male NPT	76.0	38.0	38.0	48.0	22.2	20.0	20.0	89.0	7.0	132.0	146.0	27.5
SS-NV24-TF12			3/4" GENLOK	100.0	50.0	41.0	48.0	22.2	20.0	20.0	89.0	7.0	132.0	149.0	27.5
SS-NV24-TF14M			14mm GENLOK	100.0	50.0	41.0	48.0	22.2	20.0	20.0	89.0	7.0	132.0	149.0	27.5
SS-NV24-TF18M			18mm GENLOK	100.0	50.0	-	48.0	22.2	-	-	89.0	7.0	132.0	-	27.5
SS-NV25-FNT12	15	3.27	3/4" Female NPT	89.0	44.5	44.5	58.0	29.0	22.2	35.0	127.0	11.0	163.8	170.0	35.0
SS-NV25-NT16			1" NPT	110.0	55.0	64.0	58.0	29.0	22.2	35.0	127.0	11.0	163.8	170.0	35.0
SS-NV25-SW16			1" tube 承插焊	89.0	44.5	44.5	58.0	29.0	22.2	35.0	127.0	11.0	163.8	170.0	35.0
SS-NV25-SW25M			25mm tube 承插焊	89.0	44.5	44.5	58.0	29.0	22.2	35.0	127.0	11.0	163.8	170.0	35.0
SS-NV26-FNT16	18	5.65	3/4" Female NPT	100.0	50.0	50.0	63.0	31.5	-	-	127.0	11.0	172.0	-	35.0
SS-NV26-SW16			1" tube 承插焊	100.0	50.0	50.0	63.0	31.5	-	-	127.0	11.0	172.0	-	35.0
SS-NV26-SW25M			25mm tube 承插焊	100.0	50.0	50.0	63.0	31.5	-	-	127.0	11.0	172.0	-	35.0

订购指南 Ordering Information

Ex: SS - NV23 - TF4 - K - T -							
系列号 Series	进出气形式 Inlet & Outlet Connection	阀杆类型 Stem Type	密封填料 Packing	选项 Options	选项 Options	选项 Options	选项 Options
SS: 316	NV22: 口径 4 NV23: 口径 6.4 NV24: 口径 10 NV25: 口径 15 NV26: 口径 18	NT4: 1/4" Male NPT FNT4: 1/4" Female NPT TF4: 1/4" GENLOK TF6: 3/8" GENLOK 其他形式接头详见上表	V: V 型阀杆 R: R 型阀杆 B: B 型阀杆 K: K 型阀杆 (仅适用于 NV22, NV23, NV24 系列)	T: PTFE (-54°C ~ 232°C) P: PEEK (-54°C ~ 260°C) G: 石墨 (-54°C ~ 649°C)	无: 直线型 A: 直角型	无: 黑色阳极化铝手柄 BS: 不锈钢手柄	无: 一般清洗 D: 脱脂清洗 P: 面板安装

